
Steel Meter Boxes



R3 Flush Mounted



R5 Semi-Recessed



R6 Surface Mounted



R5 Semi-Recessed

The usual choice for outdoor meter cupboards on housing stock is the popular unit made from glass-reinforced plastic (GRP).

In many situations, however, the use of metal instead of GRP cupboards is preferred or even required, and where fire or fume hazards could occur, or when there is a need to protect the unit from vandal attack, the Ritherdon range of steel meter boxes has long provided the ideal answer.

Made to the dimensions specified in the Electricity Supply Industry Standard ESI 12-3, the range includes Small, Medium and Large boxes designed for either semi-recessed, flush or surface mounted fitting.

The units are fabricated from corrosion resistant, electrolytically zinc coated steel, and are finished in an attractive grey colour using the latest powder coating techniques for extra durability.



RITHERDON

Sheet metal enclosure specialists

R3 Flush Mounted Meter Cupboard

Fully recessed with the door flush with the wall surface.

The preferred answer for installations in corridors in multi-storey buildings, where fire and fume hazards cannot be tolerated and where there is no equivalent GRP box available.

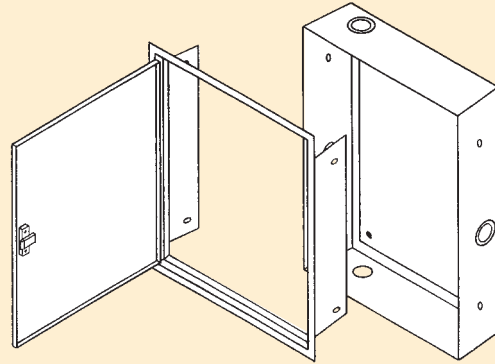
Cupboard and door supplied as separate items to allow installation of the cupboard during building work and attachment of the door later to protect its finish.

Method of attachment of door and frame to pre-fixed box allows for some degree of adjustment.

Meter board and earthing stud fitted to box as standard. Cable entry holes fitted with blind grommets to allow choice of positioning.

All boxes fitted with slam lock and supplied with easy-to-handle triangular plastic key.

Available in ESI Small, Medium and Large sizes.



		Overall dimensions			Wall opening (mm)
		Height (mm)	Width (mm)	Depth (mm)	
R3 Flush mounted	Small	572	405	153	530 x 360 x 160
	Medium	647	460	153	605 x 415 x 160
	Large	722	545	153	680 x 500 x 160

R5 Standard Semi-Recessed Meter Cupboard

The design matching most closely in appearance the standard GRP box.

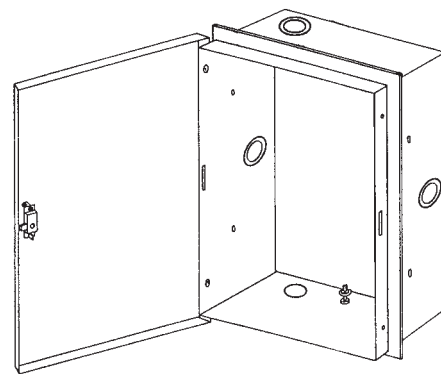
Supplied in two halves allowing fitting of box during building work and hanging of the door later when there is less chance of site damage.

Designed so that the door can be hung on the left or right hand side of the pre-installed box to best suit local conditions.

Meter board and earthing stud fitted to box as standard. Cable entry holes fitted with blind grommets to allow choice of positioning.

All boxes fitted with slam lock and supplied with easy-to-handle triangular plastic key.

Available in ESI Small, Medium and Large sizes.



		Overall dimensions			Wall opening (mm)
		Height (mm)	Width (mm)	Depth (mm)	
R5 Semi-Recessed	Small	582	415	180	530 x 360 x 130
	Medium	657	470	180	606 x 415 x 130
	Large	732	555	180	680 x 500 x 130

R6 Surface Mounted Meter Cupboard

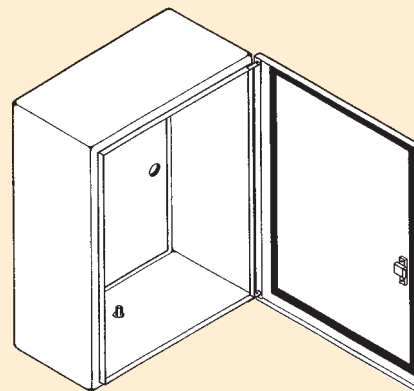
The cupboard to choose when a totally surface mounted installation is required.

A particularly strong unit supplied complete with meter board and earthing point.

Door fitted with weather resistant neoprene gasket and slam lock complete with key.

Cable entry facilities provided in back of box and in base.

Available in ESI Medium and Large sizes.



		Overall dimensions		
		Height (mm)	Width (mm)	Depth (mm)
R6 Surface mounted	Medium	620	420	200
	Large	695	505	200

Sheet metal enclosure specialists



Ritherdon & Co. Limited

Lorne Street

Darwen

Lancashire BB3 1QW

Tel : 01254 701028

Fax : 01254 873723

E-mail : sales@ritherdon.co.uk